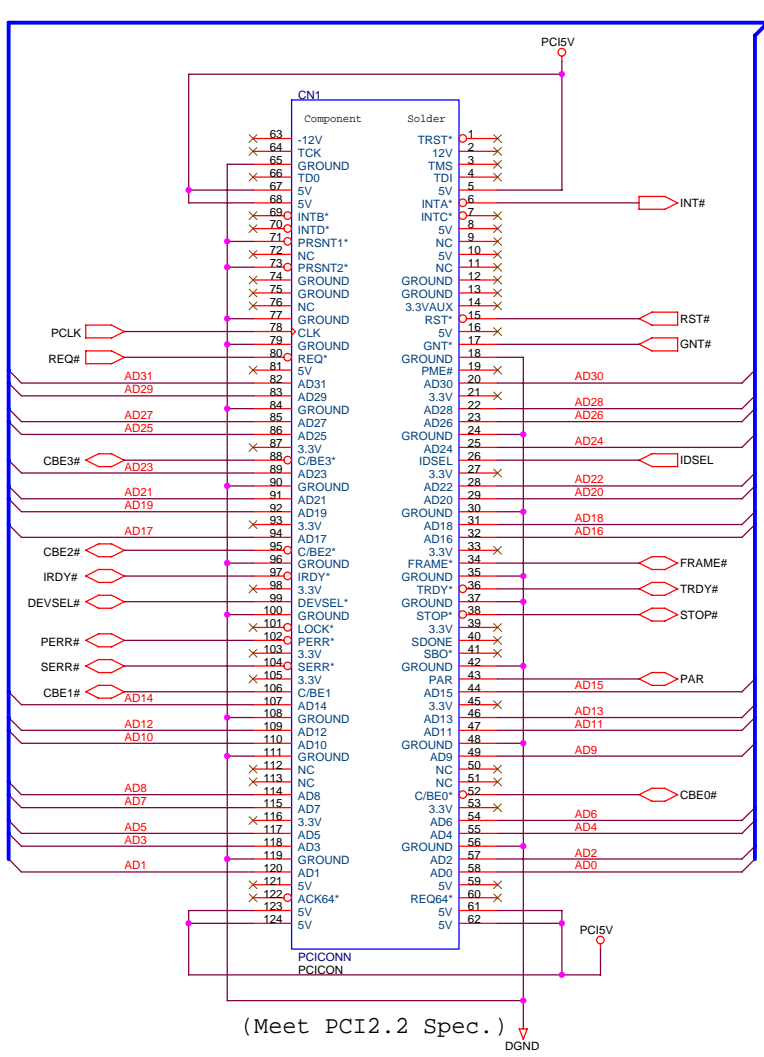
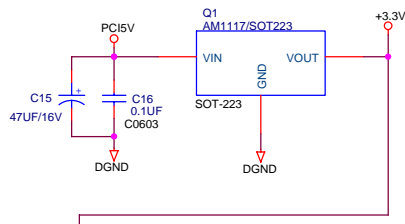


| | | |
|--------------------------------|----------------------------|------------|
| DAVICOM Semiconductor, Inc. | | |
| Title 10/100M LAN CARD | | |
| Size Custom | Document Number DM9102D | Rev 3.0 |
| Date Thursday, May 26, 2005 | Sheet 1 | of 2 |



AD[0..31]



POWER CIRCUIT

