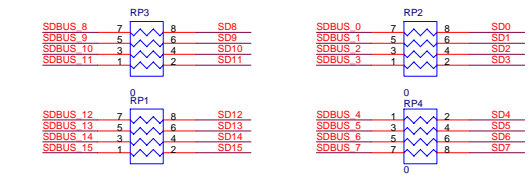
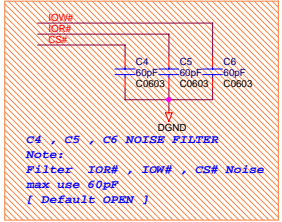
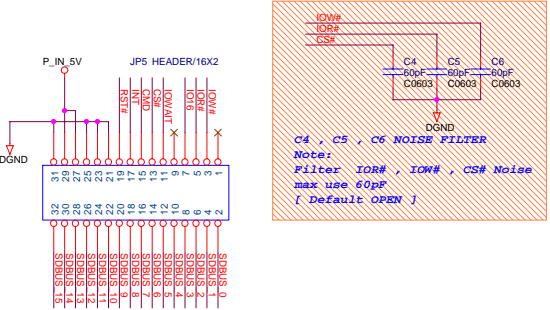


RST# LOW ACTIVE (POWER RESET)
CS# LOW ACTIVE (CHIP SELECT)
IOR# LOW ACTIVE (IO DATA READ)
IOW# LOW ACTIVE (IO DATA WRITE)
INT HIGH ACTIVE (INTERRUPT ACTIVE)

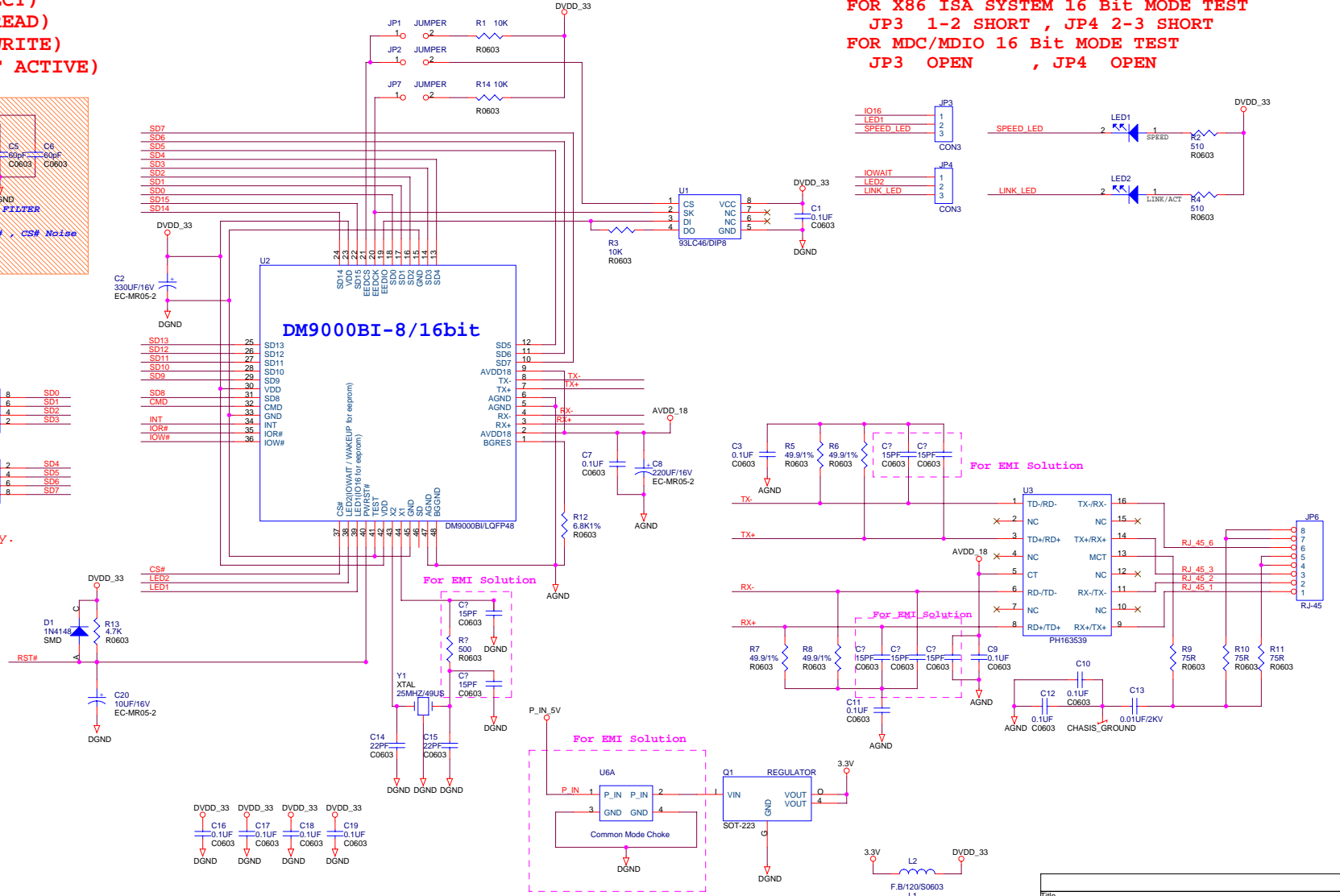
JP1 ON : USE 8 Bit MODE
 OFF : USE 16 Bit MODE
JP2 ON : USE EEPROM
 OFF : NOT USE EEPROM
JP7 ON : INT LOW ACTIVE
 OFF : INT HIGH ACTIVE

FOR NORMAL SYSTEM
 JP3 2-3 SHORT , JP4 2-3 SHORT
FOR X86 ISA SYSTEM 16 Bit Mode TEST
 JP3 1-2 SHORT , JP4 2-3 SHORT
FOR MDC/MDIO 16 Bit Mode TEST
 JP3 OPEN , JP4 OPEN



* OPTION: for SD bus noise modify.

16 Bit Mode		8 Bit Mode	
SD0	SD0	SD0	SD0
SD1	SD1	SD1	SD1
SD2	SD2	SD2	SD2
SD3	SD3	SD3	SD3
SD4	SD4	SD4	SD4
SD5	SD5	SD5	SD5
SD6	SD6	SD6	SD6
SD7	SD7	SD7	SD7
SD8	SD8	SD8	GP1
SD9	SD9	SD9	GP2
SD10	SD10	SD10	GP3
SD11	SD11	SD11	GP4
SD12	SD12	SD12	GP5
SD13	SD13	SD13	GP6
SD14	SD14	SD14	LED3
SD15	SD15	SD15	WAKE



Preliminary (for Reference Only)

Title			DAVICOM Semiconductor Inc.
Size	Document Number		
Custom	DM9000BI-8/16bit TX AUTO-MIDX	Rev	1.1
Date:	Wednesday, April 02, 2008	Sheet	1 of 1